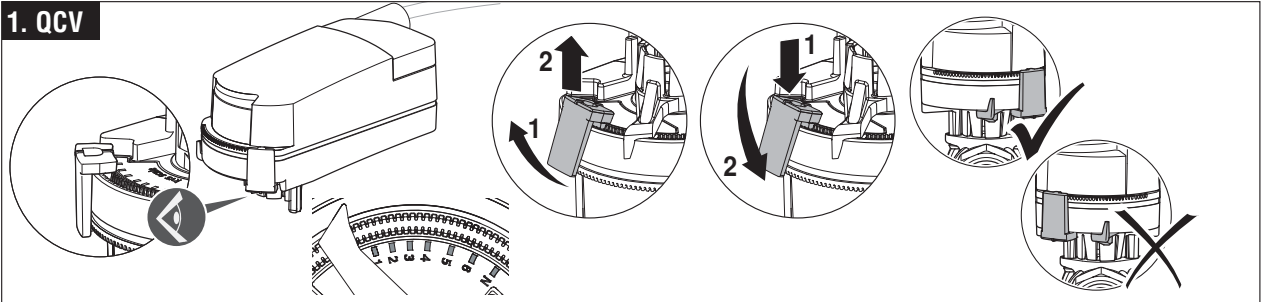


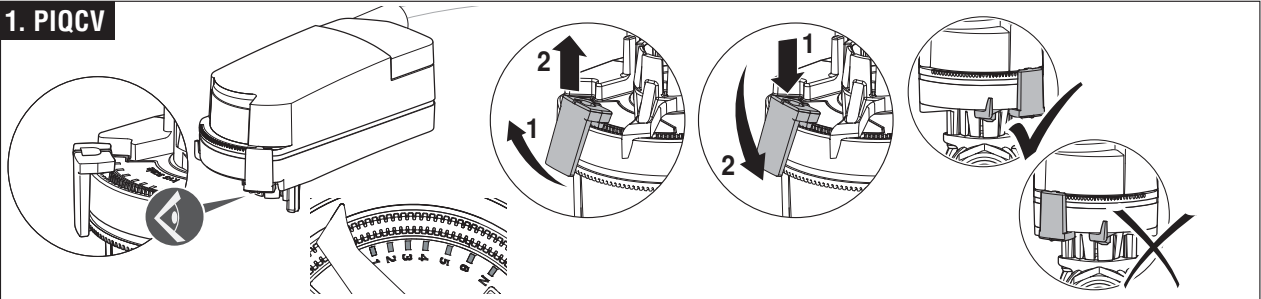
CQ... Actuators with ZoneTight Zone Valves

1. QCV



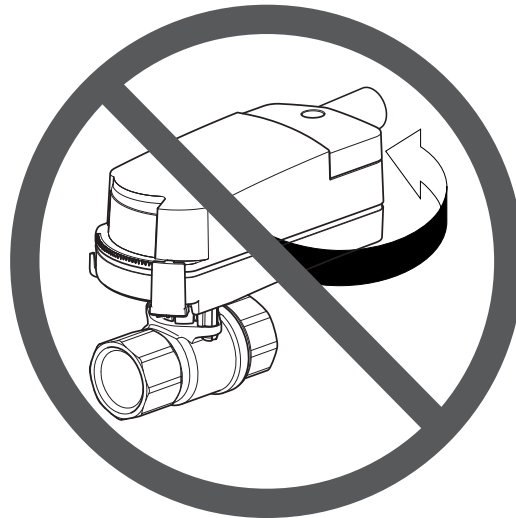
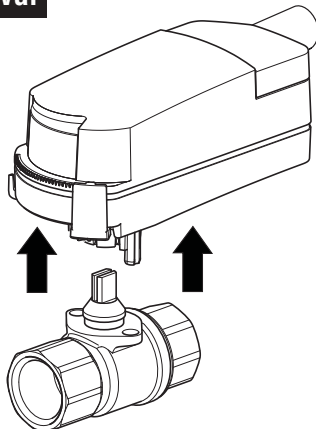
Size	Valve Model	Clip Position for Cv Adjustment (2-way Valves)							
		1	2	3	4	5	6	N	No Clip
1/2"	Z2050Q-J	0.5	0.7	1.2	1.7	2.4	3.4	4.8	5.9
3/4"	Z2075Q-K	0.5	1.0	1.5	2.3	3.3	4.6	6.6	9.8
Actuator Runtime		30 sec	37 sec	43 sec	49 sec	55 sec	62 sec	68 sec	75 sec

1. PIQCV

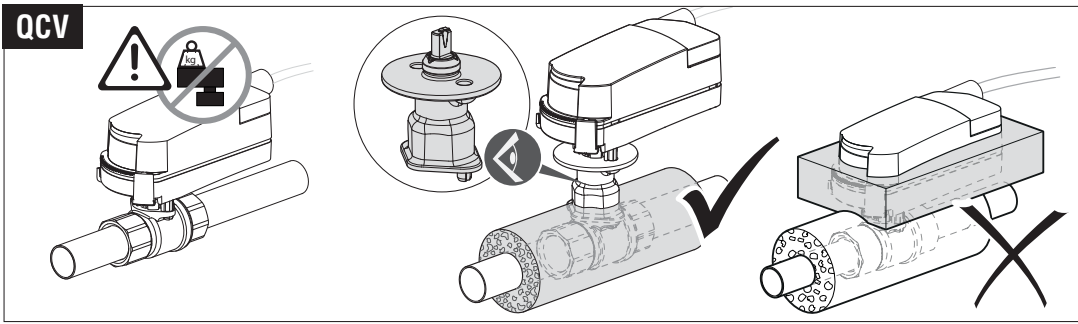


Valve Model (1/2")	Clip Position for Flow Adjustment (GPM)							
	1	2	3	4	5	6	N	No Clip
Z2050QPT-B			0.1	0.2	0.4	0.6	0.8	0.9
Z2050QPT-D	0.2	0.3	0.4	0.5	0.7	1	1.4	1.9
Z2050QPT-F		0.7	1.0	1.4	2.1	2.9	3.7	4.3
Actuator Runtime	30 sec	37 sec	43 sec	49 sec	55 sec	62 sec	68 sec	75 sec

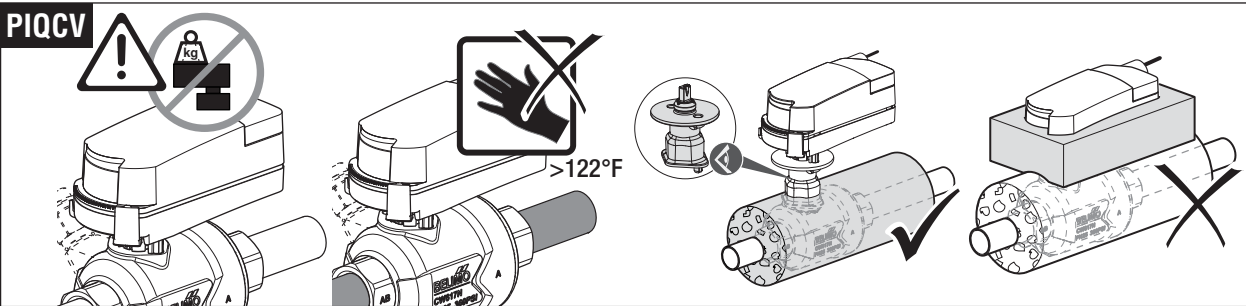
QCV/PIQCV Actuator Removal



QCV

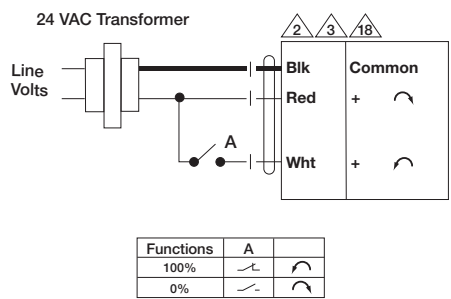


PIQCV

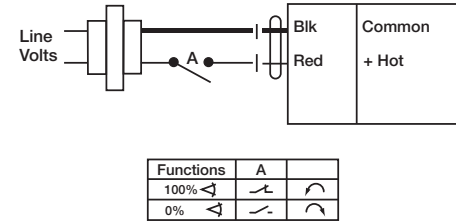


WIRING DIAGRAMS

CQ..24V, CQB24-3, CQB24-SR (-L) (-R)



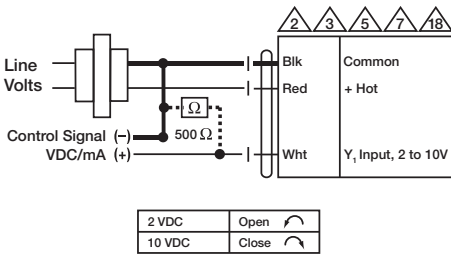
On/Off, CQB24-3



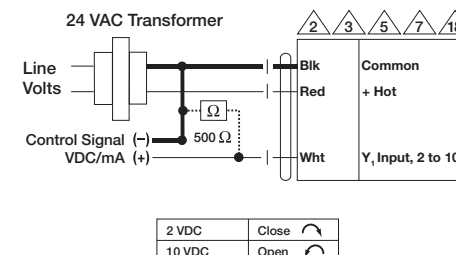
Floating Point, CQB24-3

Notes:

- ◆ Meets cULus requirements without the need of an electrical ground connection
- 2 Actuators may be connected in parallel. Power consumption and input impedance must be observed.
- 3 Actuators may also be powered by 24 VDC.
- 5 Only connect common to neg. (-) leg of control circuits.
- 7 A 500 Ω (ZG-R01) converts the 4 to 20 mA control signal to 2 to 10 VDC.
- 18 Actuators with plenum rated cable do not have numbers on wires; use color codes instead.

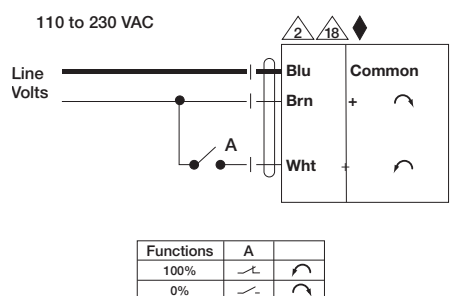


Proportional, CQB24-SR-L

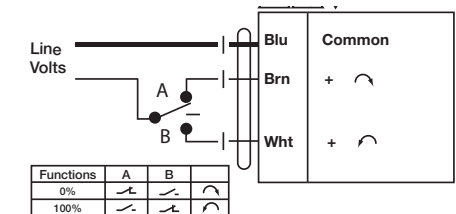


Proportional, CQB24-SR-R

CQ..110-240V, CQBUP-3



On/Off, CQBUP-3



Floating Point, CQBUP-3

WHT
White
Blanco
Bianco

RED
Red
Rojo
Rouge
Vermelho

BLK
Black
Negro
Noir
Preto